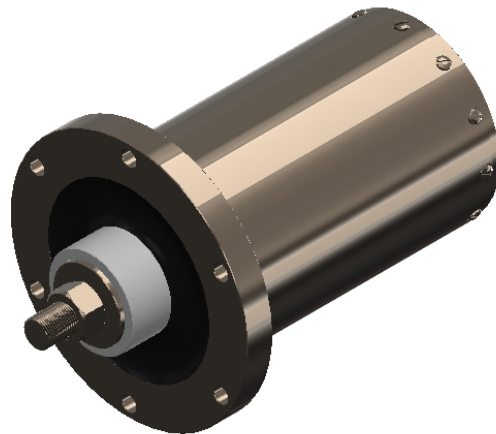
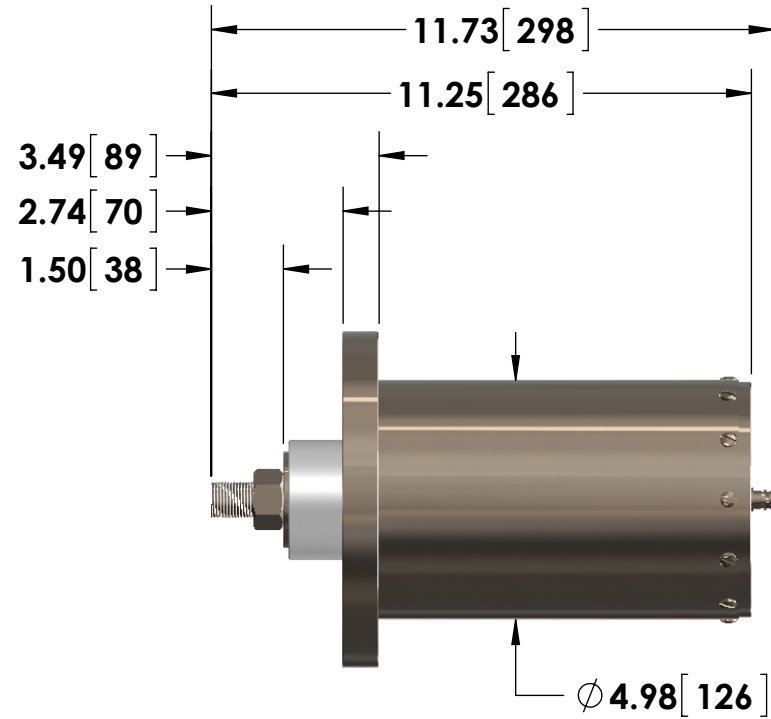
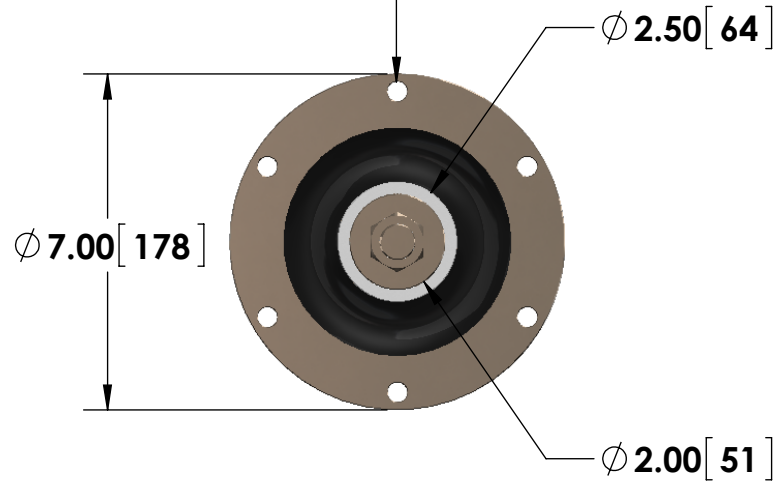


- 3/4-16 Stud Input w/Nut
- BNC (Amphenol) Output

6X  $\phi$  .41 [ 10 ] THRU  
ON A 6.25 [ 159 ] BOLT CIRCLE



Specifications subject to change without notice.

**Powertek**

TITLE: **R SERIES - 275 Watt Units**

DIMENSIONS: **inch[mm]**

DATE: **04-02-2015**