

RANGES UP TO 20Aac CURRENT INPUT

FEATURES

- Programmable set-point relay setting for input current, threshold levels, over- and under-current operation.
- Internal DIP-switches may be set for either 0-1mAdc or 0-10Vdc, and may be set for under-alarm or over-alarm relay operation.
- Internal DIP-switch to set the current ranges of either 0-5, 0-10, 0-15, or 0-20 Amperes, and the relay mode for under- or over-current operation.

- Lid-mounted two-digit numerical push-button switch calibrated as percent of full scale with a threshold range of 1-99%.
- Red LED lamp lights to indicate when the threshold level has been obtained.



5 YEAR WARRANTY

INPUT RANGE (AMPS)	INTERNAL SWITCH POSITIONS							
	1	2	3	4	5	6	7	8
	UNDER CURRENT*							
5	ON	ON						ON
10	ON	ON						ON
15	ON	ON				ON		
20	ON	ON			ON			ON
	OVER CURRENT**							
5			ON	ON				ON
10			ON	ON				ON
15			ON	ON		ON		
20			ON	ON	ON			ON

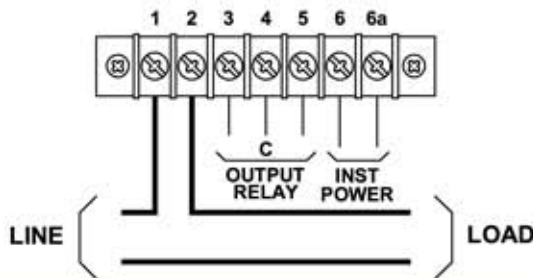
Highlighted area indicates Factory Setting. Unit is shipped from the factory with a 0-5 Amp input and in an over-current relay mode. The set point relay can be set to provide any one of the four current ranges and modes of operation.

* The output relay will energize when instrument power is applied and the current is above the set point threshold. It will remain in a "Fail Safe" mode until either the input current drops below the set point threshold or instrument power is removed.

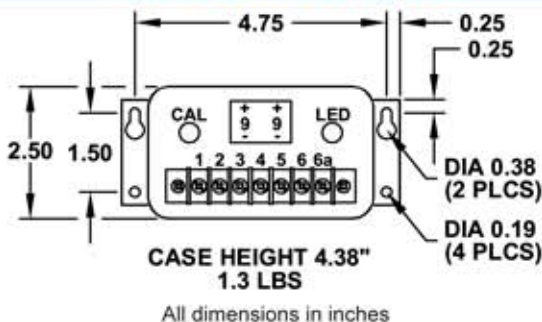
OUTPUT TERMINAL CONNECTIONS & LED OPERATION									
MODE OF OPERATION	UNDER RANGE*				OVER RANGE**				
	3	4	5	LED	3	4	5	LED	
INST. POWER OFF	N/C	Com	N/O	OFF	N/C	Com	N/O	OFF	
INST. POWER ON	N/C	Com	N/O	ON	N/O	Com	N/C	OFF	
INST. PWR. ON, CURRENT BELOW SET POINT	N/C	Com	N/O	ON	N/O	Com	N/C	OFF	
INST. PWR. ON, CURRENT ABOVE SET POINT	N/O	Com	N/C	OFF	N/C	Com	N/O	ON	

** The output relay will energize when instrument power is applied and will remain in a "Fail Safe" mode until either the instrument power is removed or the input current exceeds the set point threshold level.

CONNECTION DIAGRAM



CASE DIMENSIONS



SPECIFICATIONS

INPUT

- Current Ranges..... See Table
- Current Detection..... 5A Range..... Current at 80mA
- 10A Range..... Current at 160mA
- 15A Range..... Current at 200mA
- 20A Range..... Current at 220mA
- Burden Any Range..... 0.5VA Max.
- Over-current Any Range, continuous 25Aac
- transient..... 50Aac (10s/Hr)
- transient..... 250Aac (1s/Hr)
- Frequency 50-425Hz, 60Hz Nom.
- Set Point (Digital)..... 01-99%, 01 minimum
- Hysteresis ±1 Digit

DIELECTRIC TEST

- Input/Output/Case..... 1500Vac
- Internal Program Switch..... 8-Position DIP-switch

INSTRUMENT POWER 85-135Vac, 50-400Hz, 2.5VA

OUTPUT

- Relay..... Form C, SPDT
- Rating..... 120Vac, 3A
- Response Time to 90%... 5A Range..... 200ms
- 10A Range..... 250ms
- 15A Range..... 350ms
- 20A Range..... 550ms

ACCURACY Setpoint ±2 digits

PHYSICAL

Mechanical Operations 1 Million