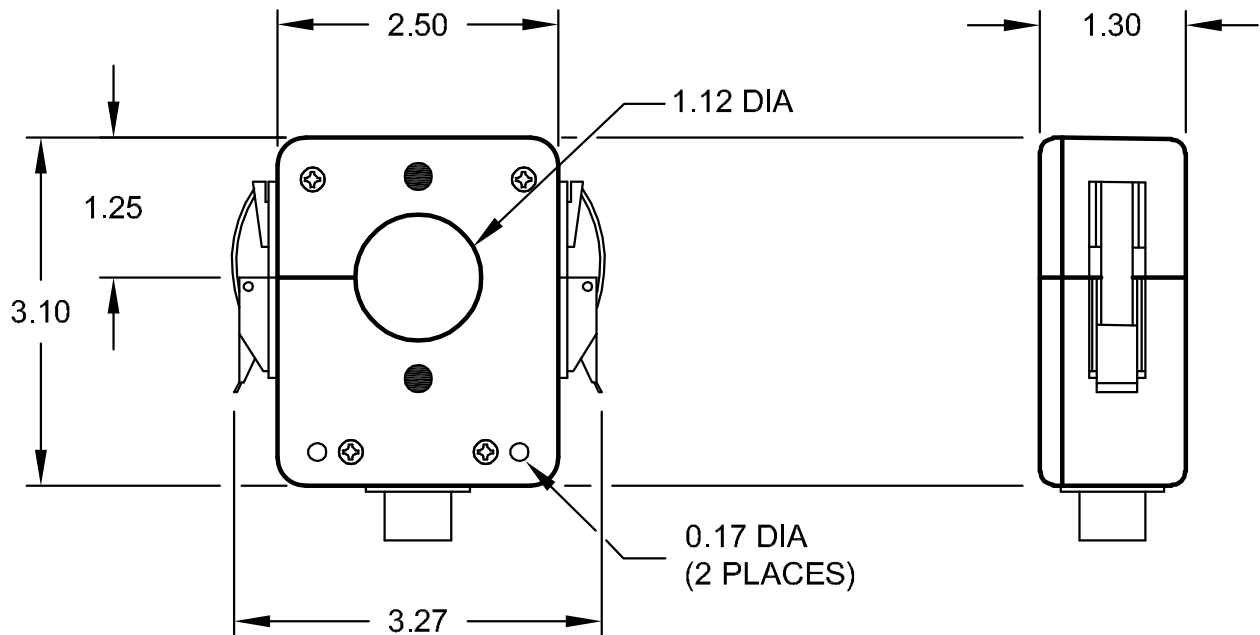


CASE DIMENSIONS

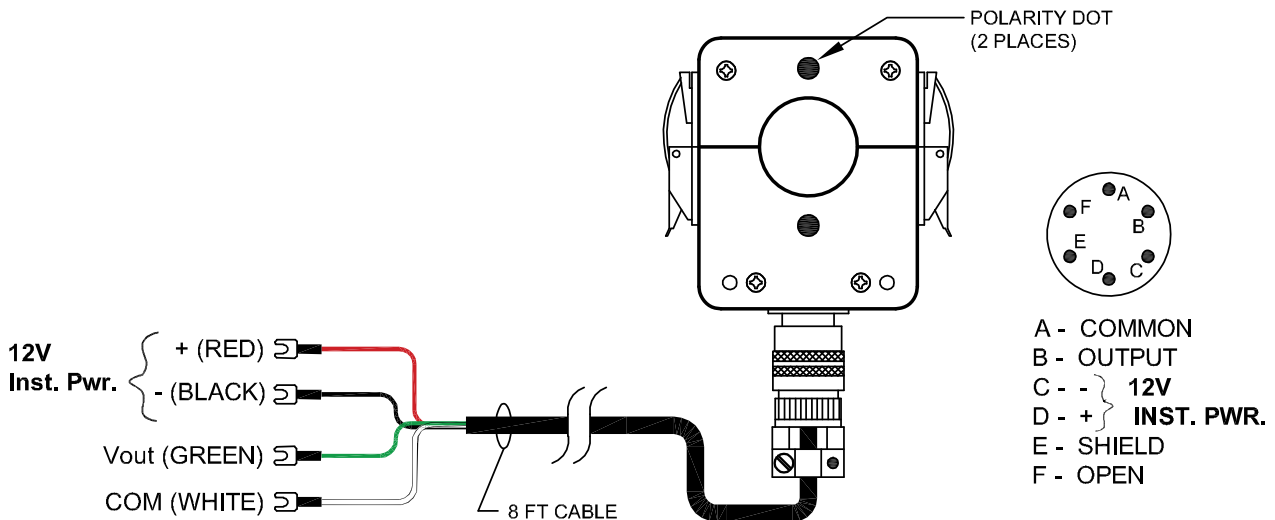


DIMENSIONS ARE IN INCHES

TOLERANCE: ± 0.03 IN

Dwg# 0902-01037-B Rev-B

CONNECTION DIAGRAMS



NOTE: "Red Dot" side of transducer must face the most positive circuit point for output polarity as shown.

Dwg# 0902-01037-B Rev-B