
7K&@#H
3WOM
HROFSO' & FW/
H

"#\$! !

#

%&'

!"#

\$
&

%
,

OUTPUT AND RATINGS

OUTPUT (Full Scale FS)	1.999V
PEAK CURRENT (FS)	9.999 / 19.99 / 29.99 / 39.99 kA

Other current ratings and outputs are available on request

ACCURACY

CALIBRATED WITH CONDUCTOR CENTRAL IN THE COIL	± 0.4% of reading The DCflex is supplied with traceable calibration certificate to UKAS
TYPICAL VARIATION OF ACCURACY WITH POSITION OF A 20cm ² BUSBAR IN THE COIL	± 0.5% reading
DISPLAY ERROR	0.1% of FS
TEMPERATURE COEFFICIENT	-0.16% / °C clip - around coil ± 0.017% / °C electronics
ADDITIONAL MEASUREMENT UNCERTAINTY DUE TO INTERNAL NOISE	10.0 A pk - pk (e.g. for the 10kA version 0.1% of FS, and for the 40kA version 0.025% of FS)

MEASUREMENT DRIFT

SET-UP DRIFT	0.025% per sec (of reading) From reset to clipping the coil into its socket around the busbar
OUTPUT DRIFT	< 5.0A per sec From clipping the coil into its socket to taking a reading

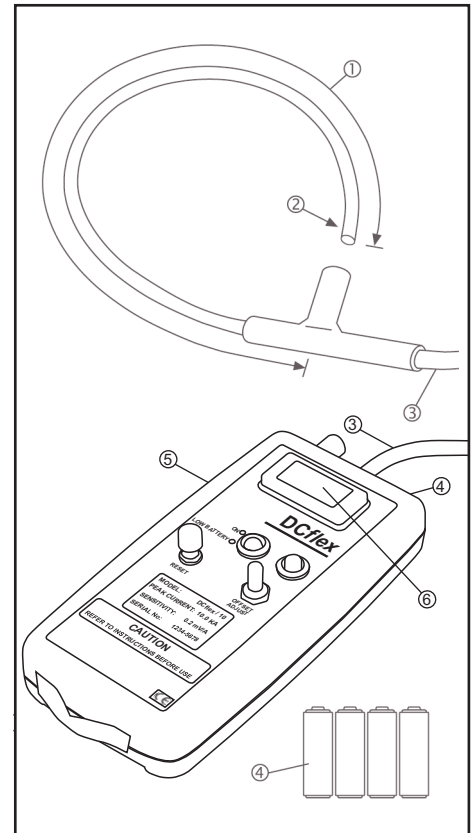
FOR FURTHER DETAILS OF THE DCflex PERFORMANCE CHARACTERISTICS PLEASE SEE FULL TECHNICAL DATA SHEET AVAILABLE FROM www.pemuk.com

COIL AND CABLE

① COIL CIRCUMFERENCE	1000 or 2000mm
② COIL CROSS SECTION (max)	8.5mm
PEAK COIL VOLTAGE ISOLATION	2kV Safe peak working voltage to earth. The coils are flash tested at 4kVrms / 50Hz for 60 seconds
TEMPERATURE RANGE	0°C to 120°C For operation at high temperature please consult PEM
③ CABLE LENGTH (from box to coil)	1.5m

INTEGRATOR AND DISPLAY

④ POWER SUPPLY	Battery 4 x AA (1.5V standard alkali batteries) Typical life battery > 100hrs -plus- 2.1/2.5mm socket for 12V to 24V (±10%) DC input Battery inoperative with DC supply present
⑤ INTEGRATOR BOX DIMENSIONS	H = 183mm, W = 93mm, D = 32mm
⑥ DISPLAY	1.999V max output (4digit display, 0.001V resolution) Alternative a version available to drive a DMM or oscilloscope directly
TEMPERATURE RANGE	0°C to 40°C



ORDERING

	TYPE	/	Current rating (kA)	/	Coil Circumference (mm)
e.g. order code	DCflex	/	10	/	2000

If you have any queries regarding the DCflex or require specifications outside our standard ranges please do not hesitate to contact us.