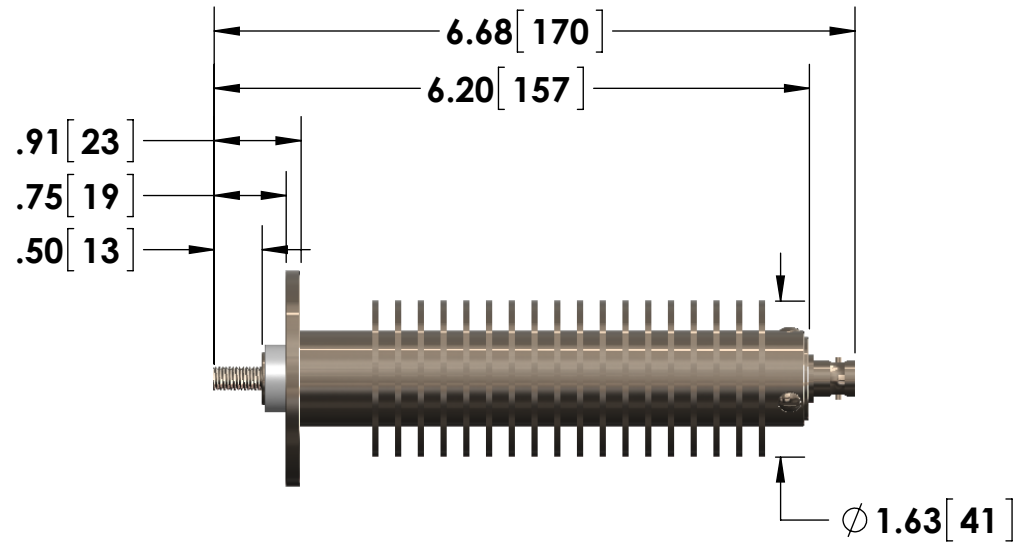
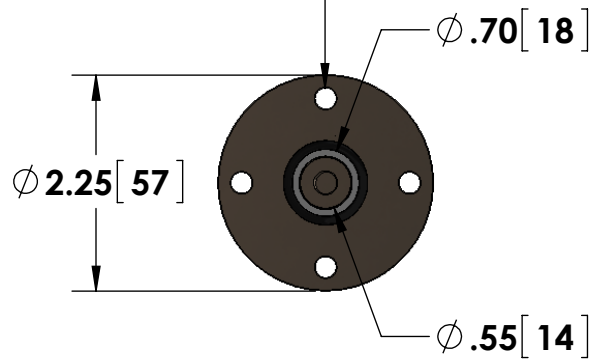


- 1/4-28 Stud Input w/Nut
- BNC (Amphenol) Output

4X  $\phi$  .22 [ 6 ] THRU  
ON A  $\phi$  1.75 [ 44 ] BOLT CIRCLE



Specifications subject to change without notice.

**Powertek**

TITLE: **M SERIES - 2M FINNED - 125 Watt**

DIMENSIONS: **inch[mm]** DATE: **03-26-2015**